



These diaphragm pressure switches are IP 55, and suitable for a variety of applications such as: food industry, cannery, pharmaceutical, petrochemical, conventional and nuclear power station. They withstand the most unfavourable working conditions, caused by either the process fluid aggressiveness or high ambient temperature.

Ranges: 0...1 bar / 0...25 bar.

Electrical specifications: N. 1 SPDT microswitch (see microswitches table).

Differential: fixed (adjustable 10%...50% of setting range (see microswitches table).

Repeatability: $\leq 1\%$ of the full setting value.

Set point adjustment: internal, micrometric adjustable.

Protection: IP 55 as per IEC 529, UNI 8896.

Electrical wiring: terminal screw, directly on microswitch.

Earth contacts: N. 1 internal, N. 1 external.

Process temperature: +212°F max (100°C).

Ambient temperature: -13...+149°F (-25...+65 °C).

Thermal drift: $\leq 0,027\%$ / °F ($\leq 0,05\%$ / °C).

Process connection: AISI 316 st.st.

Elastic element: AISI 316 st.st. diaphragm, welded.

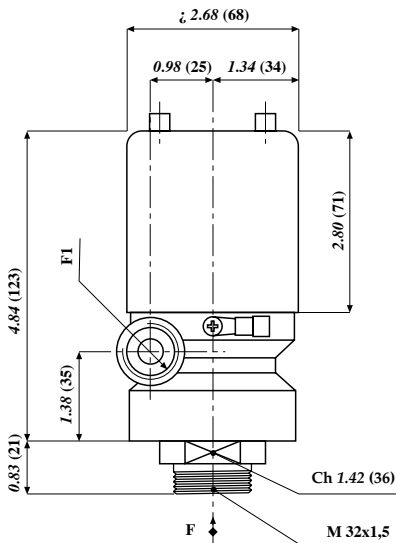
Case: aluminium, blue polyurethane painted.

Cover: aluminium beige polyurethane painted.

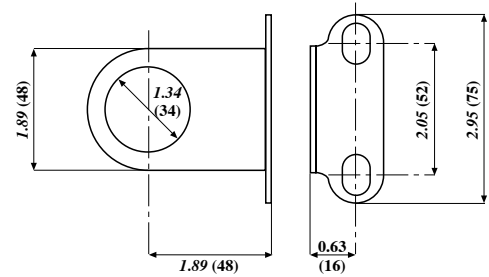
Tag: AISI 304 st.st., silk-screen painted.

Setting range	Test pressure	Differential 1 micro (1)
0,06...1 bar	1,5 bar	40 mbar
0,1...2,5 bar	3 bar	60 mbar
0,1...4 bar	5 bar	70 mbar
0,15...6 bar	8 bar	100 mbar
0,2...10 bar	13 bar	120 mbar
0,3...16 bar	20 bar	200 mbar
0,4...25 bar	30 bar	350 mbar

(1) differential and minimum set-point values for goldplated microswitches are 300% of those shown in table.



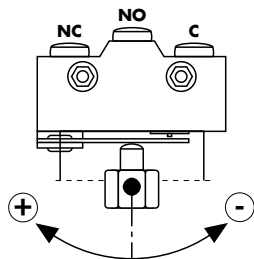
dimensions : inches (mm)



F1
R 1/2-ISO 7/1 F
1/2-14 NPT F
cable gland

F
R 1/4-18 NPT F
1/2-14 NPTM
G 1/2 A

Set-point adjustment



MICROSWITCHES - ohmic load

Type	250	125	125	24
	Vac	Vac	Vdc	Vdc
std.	15A	15A	0,5A	2A
SPLASH	15A	15A	0,5A	2A
goldplated		1A		1A
inert gas filled	15A	15A	0,5A	2A
goldplated & inert gas filled		1A		1A
adjustable dead band	20A	20A	0,5A	2A

OPTIONS

Wall mounting bracket
Tropicalisation
Epoxy painting
Degreasing for oxygen

"HOW TO ORDER" SEQUENCE

Section / Model/Special version / Set-point Adjustment / Microswitch /
Electrical connection / Process connection / Options